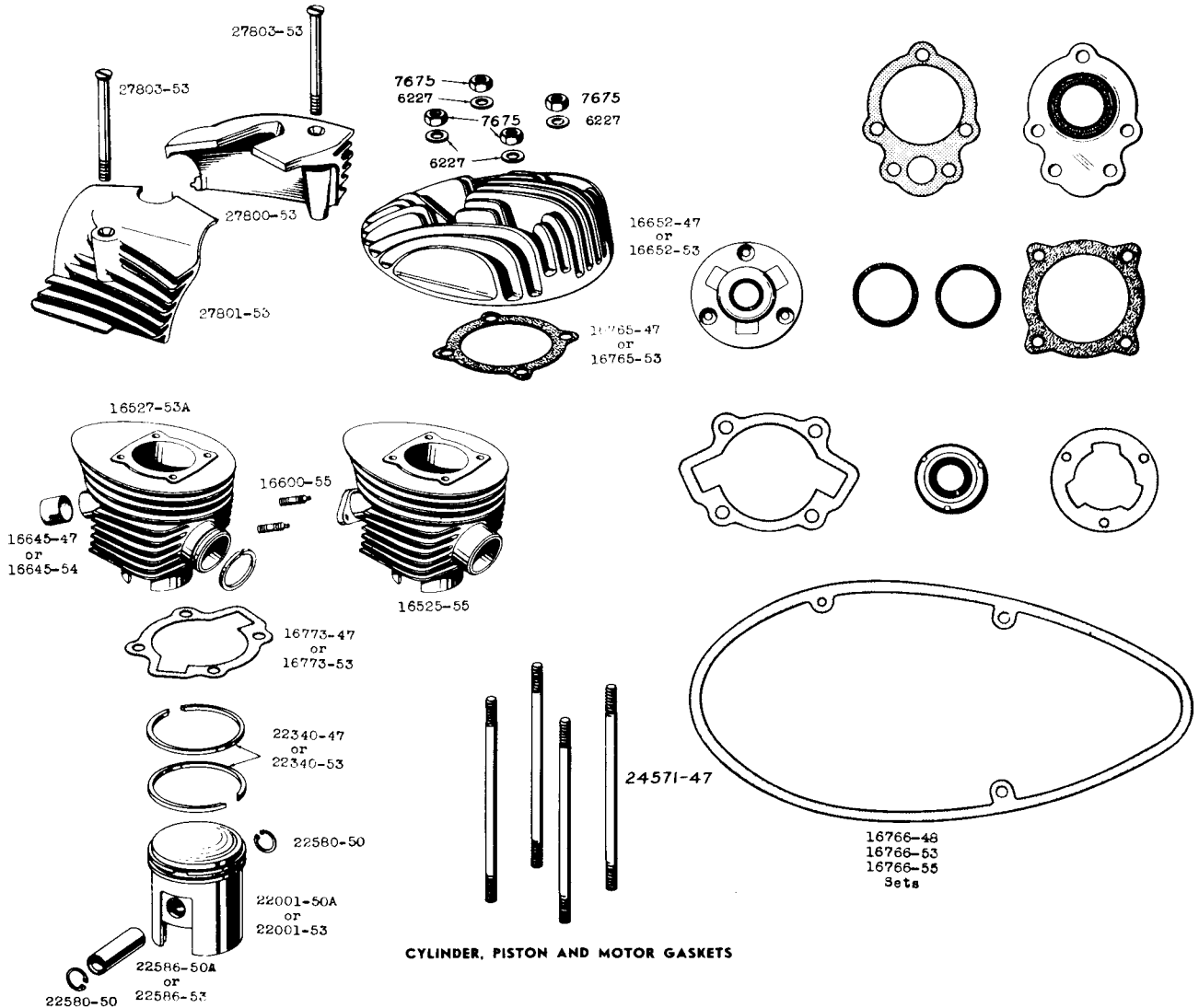


MOTOR--CYLINDER--PISTON



CYLINDER, PISTON AND MOTOR GASKETS

| | | |
|-----------|---|------------------------|
| 16050-55 | Motor with transmission & clutch | 55-Hummer |
| 16051-53A | Motor with transmission & clutch (Replaced by 16051-53B). | |
| 16051-53B | Motor with transmission & clutch | 48 to 55 S & ST |
| 2795 | Motor mtg. bolt (1-11/16") (3) | 48 to 55 |
| 1414 | Motor mtg. bolt (1-7/8") | 48 to 55 |
| 7688 | Mtg. bolt nut (4) | 48 to 55 |
| 16525-55 | Cylinder | 55-Hummer |
| 16527-47 | Cylinder | 48 to 52-S |
| 16527-53 | Cylinder (Replaced by 16527-53A) | |
| 16527-53A | Cylinder | 53 to 55-ST |
| 16600-55 | Cyl. stud (2) | 55-Hummer |
| 16645-47 | Cyl. to carb. bushing. | 48 to 52-S |
| 16645-53 | Cyl. to carb. insulator. | 53-ST |
| 16645-54 | Cyl. to carb. bushing. | 54 & 55-ST |
| 16652-47 | Cyl. head. | 48 to 52-S, 55-Hummer |
| 16652-53 | Cyl. head. | 53 to 55-ST |
| 16765-47 | Cyl. head gasket | 48 to 52-S., 55-Hummer |
| 16765-53 | Cyl. head gasket | 53 to 55-ST |
| 16766-48 | Set of motor gaskets & oil seals | 48 to 52-S |

Consists of:

| | | | | | |
|---|----------|-----------------------|---|-----------|--------------------------|
| 1 | 16765-47 | Cyl. head gasket | 1 | 23787-47A | Oil seal gasket |
| 1 | 16773-47 | Cyl. base gasket | 1 | 25411-47 | Clutch cover gasket |
| 1 | 23743-47 | Sprkt. shaft oil seal | 1 | 35150-47 | Main drive gear oil seal |
| 1 | 23780-47 | Gen. shaft oil seal | 1 | 35170-47 | Oil seal gasket. |